

# PENDALEX® P+

Product description 2014  
**INTERNATIONAL**



**Glatz**  
Shade in Swiss Quality

# PENDALEX® P+



<b>Frame:</b>	Profiled pole (Ø 67 mm), pole and free-arm of aluminium with built-in gas pressure spring (lift 50 cm) for height adjustment, shell parts of fibreglass reinforced TSG synthetic material (thermoplastic foam casting), the guideways are of Teflon-modified high performance plastic, opening crank integrated.
<b>Shade roof:</b>	10 rods of galvanized tempered spring steel, light grey, hard anodized aluminium ball-and-socket joint for canopy inclination in all directions.
<b>Framematerial:</b>	anodized natural or anthracite powder-coated (RAL 5803 E71387 A10)
<b>Frameform:</b>	round or rectangular
<b>Shade cover:</b>	available in the material class 5 (100 % acrylic abt. 300 g/m <sup>2</sup> ) or in material class 4 (100 % polyester abt. 250 g/m <sup>2</sup> )
<b>Flounce:</b>	available with or without flounce
<b>Protective cover:</b>	included in the standard equipment



PENDALEX® P+, Int. Patents reg. © Int. Design reg.

## Nominal size PENDALEX® P+

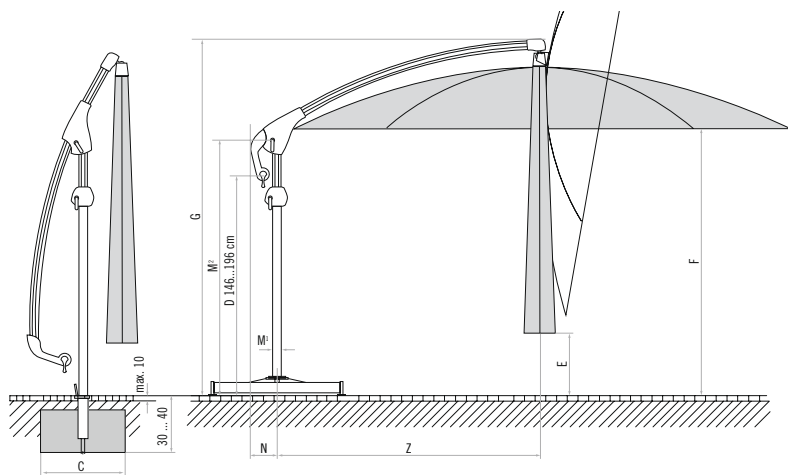
Size without flounce	Number of rods	Material class 4	Material class 5	Order no.	Order no.
		Colours 400 – 499	Colours 500 – 699	Frame anodized natural	Frame anthracite
cm					
∅ 300	10 parts			014 00 300 171	014 00 300 301
∅ 325	10 parts			014 00 325 171	014 00 325 301
∅ 350	10 parts			014 00 350 171	014 00 350 301
285 × 230	10 parts			014 00 285 171	014 00 285 301

Size with flounce	Number of rods	Material class 5	Order no.	Order no.
		Colours 500 – 699	Frame anodized natural	Frame anthracite
cm				
∅ 300	10 parts		014 00 300 170	014 00 300 300
∅ 325	10 parts		014 00 325 170	014 00 325 300
∅ 350	10 parts		014 00 350 170	014 00 350 300
285 × 230	10 parts		014 00 285 170	014 00 285 300

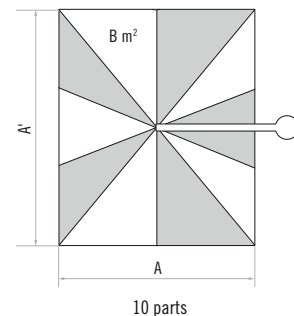
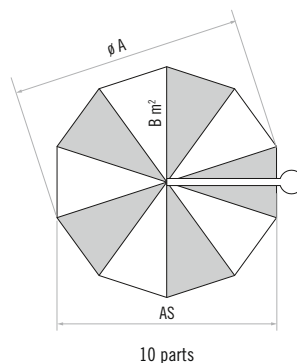
Price on request

## Accessories PENDALEX® P+

<b>Fixing option Z</b> (support tube Z required)	
90 kg concrete base Z, Ø 75 × 9.5 cm	350 01 109 523
90 kg natural granite base Z, Ø 73 × 9 cm	350 01 109 512
Support tube Z, P+, galvanized steel	350 01 201 400
Support tube Z, P+, high-grade steel 1.4301 / 304	350 01 201 500
<b>***Base with castors</b> (Weight set required)	
Base frame with castors 150kg, M4 Ø88 × 17 cm, anthracite (support tube M4 compulsory)	350 01 102 700
Weights set, 4 pieces 35001105600, cement, for base with castors 150kg, (weights set approx. 99kg)	350 01 103 600
Protective cover for base with castors 150kg	350 01 602 600
<b>Fixing option PX</b> (support tube PX required)	
Ground socket PX, galvanised steel	350 01 207 001
Ground socket PX, high-grade steel 1.4301 / 304	350 01 207 011
Support tube PX, P+, galvanized steel	350 01 206 050
Support tube PX, P+, high-grade steel 1.4301 / 304	350 01 206 020
<b>Fixing option M4</b> (support tube M4 required)	
**Base M4, 120 kg, (for 8 slabs 40 × 40 × 4 cm), 91 × 91 × 11.5 – 15.5 cm, steel graphite grey (adjustable and levellable) (price without plates)	350 01 108 232
Base M4, 120 kg, (for 8 plates 40 × 40 × 4 cm), 91 × 91 × 11.5 - 15.5 cm, zinc-plated steel (adjustable and levellable) (price without plates)	350 01 108 235
Ground socket M4, galvanized steel	350 01 226 510
Mounting plate M4, 30 × 30 × 1.2 cm, galvanized steel	350 01 226 920
Wall console M4, extension 480 mm, galvanized steel	350 01 229 405
Wall console M4, extension 100 mm, galvanized steel	350 01 229 410
Mounting plate M4 special, for installation height 50 – 149 mm, galvanized steel	350 01 226 932
Mounting plate M4 special, for installation height 150 – 350 mm, galvanized steel	350 01 226 930
Mounting plate M4 for isolated grounds, installation height made to measure, high-grade steel 1.4301 / 304	350 01 229 730
*Support tube M4, P+, steel graphite grey	350 01 200 232
Support tube M4, P+, galvanized steel	350 01 200 235
<b>Slabs for basis M4</b>	
Slab set, 8 pieces, 40 × 40 × 4 cm, (ca. 110kg), concrete	350 01 226 908
Slab set, 8 pieces, 40 × 40 × 4 cm, (ca. 115 kg), 4 pieces concrete, 4 pieces polished granite	350 01 226 909
<b>Protective cover, coated polyester fabric</b>	
Protective cover with zip and rod	350 01 609 930
<b>Miscellaneous items</b>	
Rechargeable battery light Osyrion 6 for pole Ø 30 – 50 mm, battery charger with european plug (type C) included (1 accumulator included)	350 01 557 950
Rechargeable battery light Osyrion 4 for pole Ø 30 – 50 mm, battery charger with european plug (type C) included (1 accumulator included)	350 01 557 910
Spare accu, 3.6 V, 7500 mAh (for Osyrion 4 & 6)	350 01 557 920
Base transporter for sockets weighing 120 kg, 180 kg, 240 kg, 430 kg and 620 kg	350 01 909 000
*while stocks last	
**only available in full container	
***only suitable for smooth, joint free surface coverings	



30 – 40 cm concrete layer (pls pay attention to the soil freezing depth) including a loose water drain covering of max. 10 cm.



Nominal size	Lateral distance	Pole $\varnothing$	Area covered	Height closed	Clear headroom	Total height	Height of pole	Overhang at the back	Length of free-arm	Foundation 30 – 40 cm deep	Recommended base weight	max. wind speed open perm.
cm	cm	cm	m <sup>2</sup>	cm	cm	cm	cm	cm	cm	cm	kg	km/h (wind force)
A	AS	M <sup>1</sup>	B	E	F	G	M <sup>2</sup>	N	Z	C		
Ø 300	286	6.7	6.6	61...111	175...225	235...285	167...217	17...103	89...175	60 × 60	90	20(4)
Ø 325	310	6.7	7.8	48...98	175...225	235...285	167...217	17...103	89...175	60 × 60	90	20(4)
Ø 350	335	6.7	9.0	36...86	175...225	235...285	167...217	17...103	89...175	60 × 60	120	20(4)
285 × 230	-	6.7	6.6	36...86	175...225	235...285	167...217	17...103	89...175	60 × 60	90	20(4)

The listed measures represent extrapolated average values that may be slightly different on the product ( $\pm 2\% \pm 5$  cm).

The measures of the height are determined by the PX ground socket. If one of the offered bases is used, these measures change only slightly.

If one opts for the M4 ground socket, instead, the listed measures of the height are reduced by 10.5 cm.

The max. wind speed limits as per our separate sheet apply only if the sunshade canopy is in a horizontal position and if there is a fix ground anchorage.

In the presence of several sunshades, the minimum distance between one sunshade and another and between sunshades and walls shall be 20 cm.

Your nearest Glatz representative:

**Glatz**  
Shade in Swiss Quality

