

AMBIENTE

Product description 2014
INTERNATIONAL



Glatz
Shade in Swiss Quality

AMBIENTE



Frame:	8 rods made of powder-coated aluminium with crank mechanism to open the shade. The canopy can be turned around by 90°. The pole profile is rectangular 80 × 95 × 3.8 mm, middle pole ø 40 mm.
Frame colour:	white powder-coated (RAL 9010) or graphite grey powder-coated (RAL 5803 E 90070 A10) Extra charge for powder-coated frame in other RAL colours: price on request
Frame shape:	round, rectangular or square
Drive:	Optional with motor drive for greatest comfort
Shade cover:	available in material class 5 (100 % acrylic approx. 300 g/m ²)
Flounce:	available with or without flounce
Protective cover:	optional
Various:	Stainless-steel kit (8-part hinge set) for use in corrosive environments, manufactured in series from 01/01/201
Fixations:	



AMBIENTE, Int. Patents reg.

Nominal size AMBIENTE

	Size without flounce	Number of rods	Material class 5 Colours 500 – 699	Order no.	Order no.
				Frame white	Frame graphite grey
	cm				
	ø 400	8 parts		100 00 400 161	100 00 400 321
	ø 450	8 parts		100 00 450 161	100 00 450 321
	ø 500	8 parts		100 00 500 161	100 00 500 321
	400 × 300	8 parts		100 00 401 161	100 00 401 321
	450 × 350	8 parts		100 00 451 161	100 00 451 321
	350 × 350	8 parts		100 00 350 161	100 00 350 321
	400 × 400	8 parts		100 00 402 161	100 00 402 321

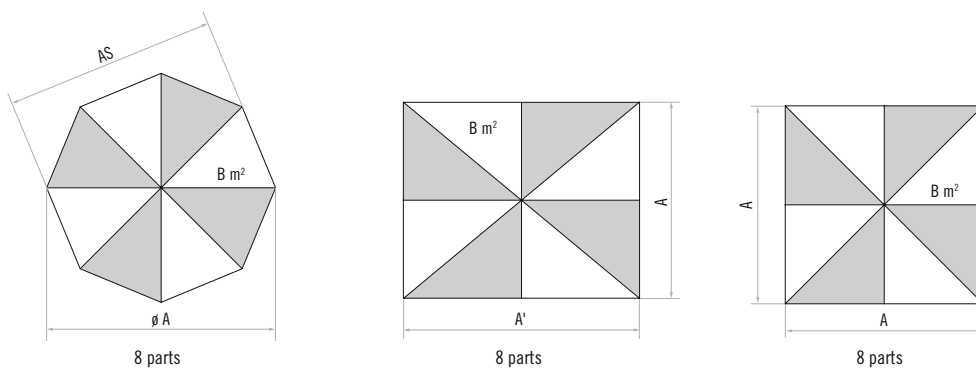
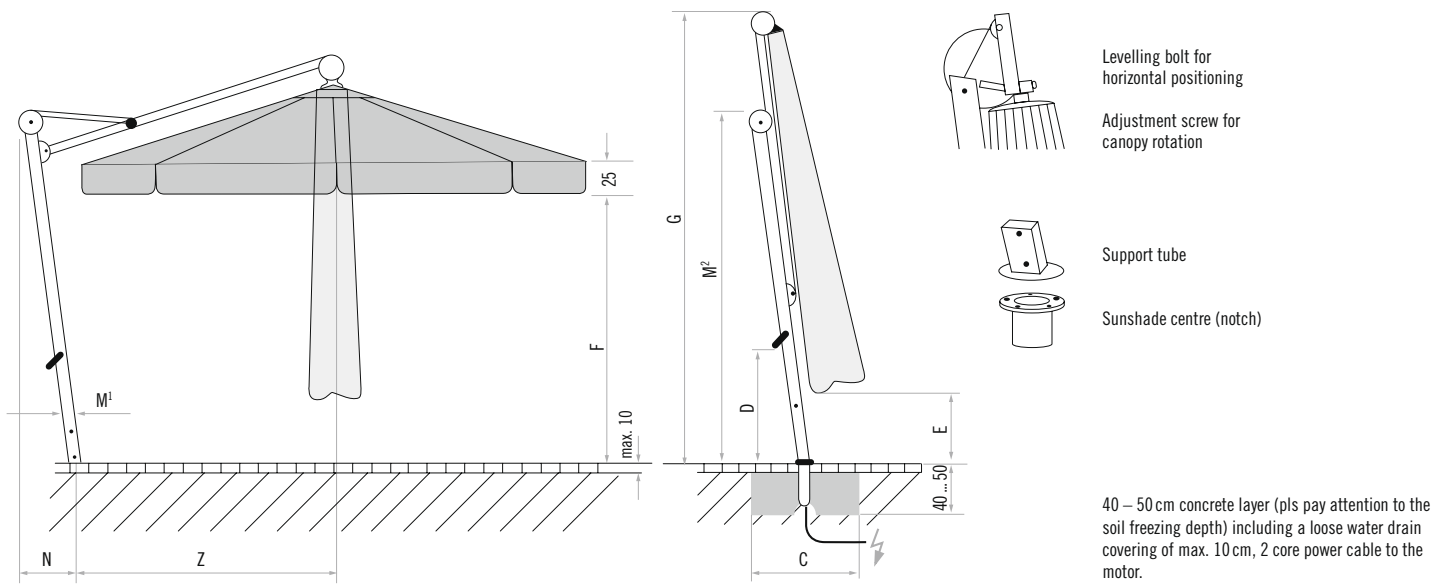
	Size with flounce	Number of rods	Material class 5 Colours 500 – 699	Order no.	Order no.
				Frame white	Frame graphite grey
	cm				
	ø 400	8 parts		100 00 400 160	100 00 400 320
	ø 450	8 parts		100 00 450 160	100 00 450 320
	ø 500	8 parts		100 00 500 160	100 00 500 320
	400 × 300	8 parts		100 00 401 160	100 00 401 320
	450 × 350	8 parts		100 00 451 160	100 00 451 320
	350 × 350	8 parts		100 00 350 160	100 00 350 320
	400 × 400	8 parts		100 00 402 160	100 00 402 320

Price on request

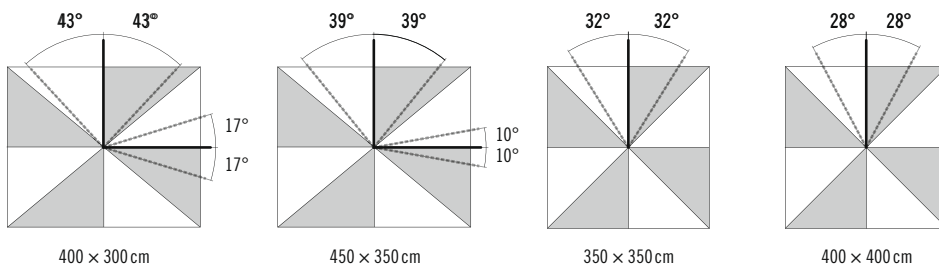
Nominal size	Lateral distance	Pole Ø	Area covered	Crank handle height	Height closed	Clear headroom	Total height	Height of pole	Overhang at the back	Length of free-arm	Foundation 40 – 50 cm deep	Recommended base weight	max. wind speed open perm.
cm	cm	cm	m ²	cm	cm	cm	cm	cm	cm	cm	cm	kg	km/h (Bft.)
A	AS	M ¹	B	D	E	F	G	M ²	N	Z	C		
Ø 400	370	8 × 9.5	11.3	70	125	200	345	270	40	200	80 × 80	240	40 (6)
Ø 450	415	8 × 9.5	14.3	75	120	200	365	275	40	225	80 × 80	430	35 (5)
Ø 500	460	8 × 9.5	17.7	75	95	200	365	275	40	225	100 × 100	430	30 (5)
400 × 300	-	8 × 9.5	12.0	70	75	200	345	270	40	200	80 × 80	240	40 (6)
450 × 350	-	8 × 9.5	15.8	75	65	200	365	275	40	225	100 × 100	430	35 (5)
350 × 350	-	8 × 9.5	12.3	70	75	200	345	270	40	200	80 × 80	240	40 (6)
400 × 400	-	8 × 9.5	16.0	75	70	200	365	275	40	225	100 × 100	430	35 (5)

The listed measures represent extrapolated average values that may be slightly different on the product ($\pm 2\% \pm 5$ cm).
The measures of the height are determined by the M4 ground socket. Depending on the base you choose, the listed measures change by the height of the corresponding base.
The max. wind speed limits as per our separate sheet apply only if the sunshade canopy is in a horizontal position and if there is a fix ground anchorage.
In the presence of several sunshades, the min. distance between one sunshade and another and between sunshades and walls shall be 20 cm.

You can also open and close it using a battery-operated drill. The required adapter is supplied with the crank.



The sunshade canopy may be rotated by 90° at any time. The canopy may also be turned in such a way as to bring the side concerned into an assymmetric position with respect to the pole. Attention: Pls pay attention to the radius (measure Z).



Accessories AMBIENTE

Fixing option M4 (support tube M4 required)		
Base M4, 240 kg, (for 16 plates 40 × 40 × 4 cm), 91 × 91 × 19 - 23 cm, zinc-plated steel (adjustable and levellable) (price without plates)		350 01 108 435
*Base M4, 430 kg with 8 concrete slabs, 89.5 × 89.5 × 29.2 – 34.2 cm, galvanized steel (adjustable and levellable)		350 01 226 915
Ground socket M4, galvanized steel		350 01 226 510
Mounting plate M4, 30 × 30 × 1.2 cm, galvanized steel		350 01 226 920
Wall console M4, extension 480 mm, galvanized steel		350 01 229 405
Wall console M4, extension 100 mm, galvanized steel		350 01 229 410
Mounting plate M4 special, for installation height 50 – 149 mm, galvanized steel		350 01 226 932
Mounting plate M4 special, for installation height 150 – 350 mm, galvanized steel		350 01 226 930
Mounting plate M4 for isolated grounds, installation height made to measure, high-grade steel 1.4301 / 304		350 01 229 730
Support tube M4 with hollow profile AMB, galvanized steel (with cover, adjustable and levellable)		350 01 226 010
Slabs for basis M4		
Slab set, 16 pieces, 40 × 40 × 4 cm, (ca. 220 kg), concrete		350 01 226 904
Slab set, 16 pieces, 40 × 40 × 4 cm, (ca. 225 kg), 12 pieces concrete, 4 pieces polished granite		350 01 226 903
Different fixing options		
Ground socket with support tube AMB, turnable by 210°, galvanized steel		350 01 226 410
Protective cover, coated polyester fabric	suitable for shade sizes in cm	
Protective cover with zip and rod 325 × 75 cm	∅ 400 / ∅ 450 / ∅ 500 / 400 × 300 450 × 350 / 350 × 350 / 400 × 400	350 01 609 710
Motor drive (control board and key switch are required)		
Motor drive AMBIENTE with permanent alternative crank		350 01 508 611
Standard control board		350 01 508 502
Control board with anemometer		350 01 508 503
Key switch surface mounted		350 01 508 505
Key switch flush mounted		350 01 508 506
Remote control for motor drive (key switch required)		
Remote control for motor drive		350 01 507 100
Key switch surface mounted for remote control		350 01 507 125
Key switch flush mounted for remote control		350 01 507 126
Miscellaneous items		
Base transporter for sockets weighing 120 kg, 180 kg, 240 kg, 430 kg and 620 kg		350 01 909 000
*while stocks last		

Your nearest Glatz representative:

