

SOMBRANO® S+

Product description 2014
INTERNATIONAL



Glatz
Shade in Swiss Quality

SOMBRANO® S+



Frame: 8 rods made of natural anodized , with crank mechanism, (self-locking on both sides) and tilting rod for effortless tilting of the shade roof on both sides up to 54 degrees. The pole profile is oval 66 × 95 x 3 mm. M4 turnable ball-bearing base, powder-coated cast steel, is included.

Framefarbe: anodized natural

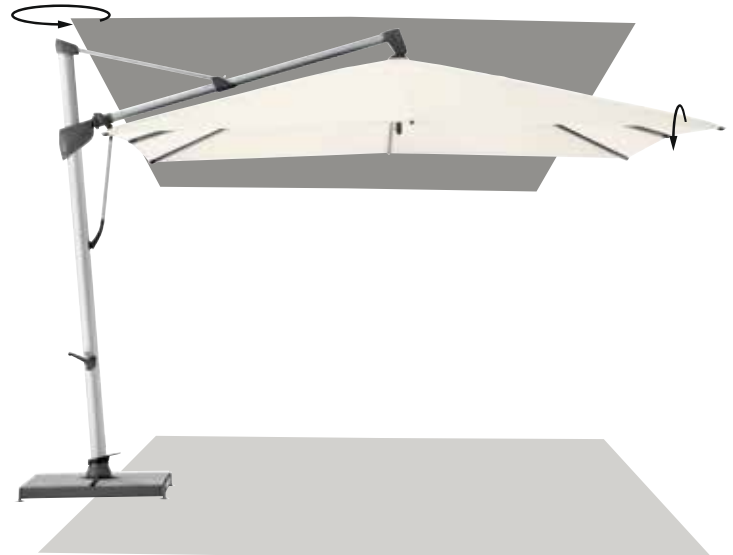
Frameform: round or square

Shade cover: self-tautening thanks to the flexible rod ends, available in material class 5 (100 % acrylic approx. 300 g/m²), material class 4 (100 % polyester approx. 250 g/m²)

Flounce: not available

Protective cover: included in the standard equipment

Fixations:



SOMBRANO®, Int. Patents reg.

Nominal size SOMBRANO® S+

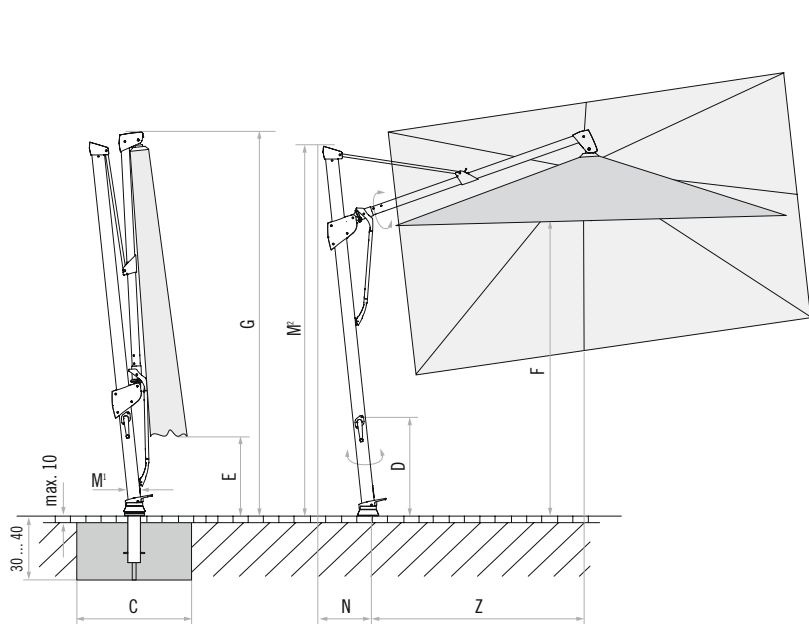
	Size without flounce	Number of rods	Material class 4	Material class 5	Order no. Frame anodized natural
			Colours 400 – 499	Colours 500 – 699	
○	Ø 350	8 parts			085 00 350 171
	Ø 400	8 parts			085 00 400 171
□	300 × 300	8 parts			085 00 310 171
	350 × 350	8 parts			085 00 351 171

Price on request

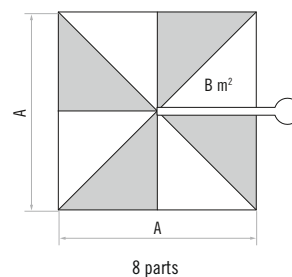
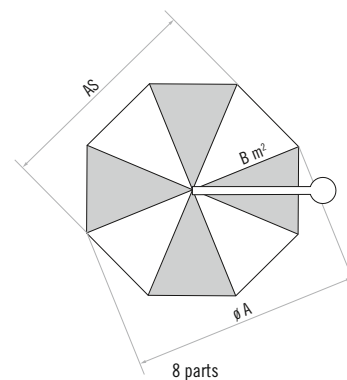
Accessories SOMBRANO® S+

***Base with castors (Weight set required)	
Base frame with castors 150kg, M4 Ø88 × 17 cm, anthracite	350 01 102 700
Weights set, 4 pieces 35001105600, cement, for base with castors 150kg, (weights set approx. 99kg)	350 01 103 600
Protective cover for base with castors 150kg	350 01 602 600
Fixing option M4	
Base M4, 120 kg, (for 8 plates 40 × 40 × 4 cm), 91 × 91 × 11.5 - 15.5 cm, zinc-plated steel (adjustable and levellable) (price without plates)	350 01 108 235
Base M4, 180 kg, (for 12 plates 40 × 40 × 4 cm), 91 × 91 × 15.5 - 19.5 cm, zinc-plated steel (adjustable and levellable) (price without plates)	350 01 108 335
Ground socket M4, galvanized steel	350 01 226 510
Mounting plate M4, 30 × 30 × 1.2 cm, galvanized steel	350 01 226 920
Wall console M4, extension 480 mm, galvanized steel	350 01 229 405
Wall console M4, extension 100 mm, galvanized steel	350 01 229 410
Mounting plate M4 special, for installation height 50 – 149 mm, galvanized steel	350 01 226 932
Mounting plate M4 special, for installation height 150 – 350 mm, galvanized steel	350 01 226 930
Mounting plate M4 for isolated grounds, installation height made to measure, high-grade steel 1.4301 / 304	350 01 229 730
Slabs for basis M4	
Slab set, 8 pieces, 40 × 40 × 4 cm, (ca. 110kg), concrete	350 01 226 908
Slab set, 8 pieces, 40 × 40 × 4 cm, (ca. 115 kg), 4 pieces concrete, 4 pieces polished granite	350 01 226 909
Slab set, 12 pieces, 40 × 40 × 4 cm, (ca. 165 kg), concrete	350 01 226 907
Slab set, 12 pieces, 40 × 40 × 4 cm, (ca. 170 kg), 8 pieces concrete, 4 pieces polished granite	350 01 226 906
Protective cover, coated polyester fabric	
Protective cover with zip and rod for the SOMBRANO Ø 350 / 300 × 300	350 01 221 490
Protective cover with zip and rod for the SOMBRANO Ø 400/350 × 350	350 01 221 500
Miscellaneous items	
Rechargeable battery light Osyrion 6 for pole Ø 30 – 50 mm, battery charger with european plug (type C) included (1 accumulator included)	350 01 557 950
Rechargeable battery light Osyrion 4 for pole Ø 30 – 50 mm, battery charger with european plug (type C) included (1 accumulator included)	350 01 557 910
Spare accu, 3.6 V, 7500 mAh (for Osyrion 4 & 6)	350 01 557 920
Base transporter for sockets weighing 120 kg, 180 kg, 240 kg, 430 kg and 620 kg	350 01 909 000

***only suitable for smooth, joint free surface coverings



Betondicke 30 – 40 cm (Frosttiefe beachten),
davon loser Deckbelag max. 10 cm,
Wasserabfluss.



Nominal size	Lateral distance	Pole \varnothing	Area covered	Crank handle height	Height closed	Clear headroom	Total height	Height of pole	Overhang at the back	Length of free-arm	Foundation 30 – 40 cm deep	Recommended base weight	max. wind speed open perm.
cm	cm	cm	m ²	cm	cm	cm	cm	cm	cm	cm	cm	kg	km/h (wind force)
A	AS	M'	B	D	E	F	G	M ²	N	Z	C		
Ø 350	325	6.6 × 9.5	8.7	69	90	205	285	275	33	165	60 × 60	120	45 (6)
Ø 400	370	6.6 × 9.5	11.3	69	85	210	300	275	33	185	60 × 60	150	35 (5)
300 × 300	-	6.6 × 9.5	9.0	69	55	215	285	275	33	165	60 × 60	120	45 (6)
350 × 350	-	6.6 × 9.5	12.3	69	40	215	300	275	33	185	60 × 60	150	35 (5)

The listed measures represent extrapolated average values that may be slightly different on the product ($\pm 2\% \pm 5$ cm).

The measures of the height are determined by the M4 ground socket. The 120 kg M4 base causes these measures to go up by 11.5 cm.

The max. wind speed limits as per our separate sheet apply only if the sunshade canopy is in a horizontal position and if there is a fix ground anchorage.

In the presence of several sunshades, the minimum distance between one sunshade and another and between sunshades and walls shall be 20 cm.

Your nearest Glatz representative:

Glatz
Shade in Swiss Quality

