

# ALU-TWIST ALU-PUSH FORTINO®

Product description 2014  
**INTERNATIONAL**



**Glatz**  
Shade in Swiss Quality

# ALU-TWIST



**Frame:** 6 or 8 rods made of aluminium, anodized natural, with a profiled pole – upper pole 38.4 × 1.2 mm – lower pole 39 × 1.5 mm, with crank mechanism for easy opening and “twist” mechanism for stepless tilting.

**Frame colour:** anodized natural

**Frame shape:** round, rectangular or square

**Shade cover:** self-tautening thanks to the flexible rod ends, available in material class 5 (100 % acrylic approx. 300 g/m<sup>2</sup>), material class 4 (100 % polyester approx. 250 g/m<sup>2</sup>)

**Founce:** not available

**Protective cover:** optional

## easy

**Shade cover:** available in material class 2 (100 % polyester approx. 220 g/m<sup>2</sup>)

**Fixations:**



ALU-TWIST, © Int. Design reg.

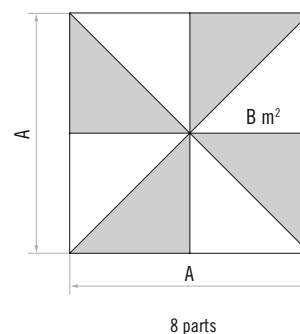
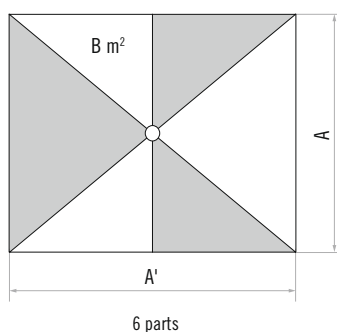
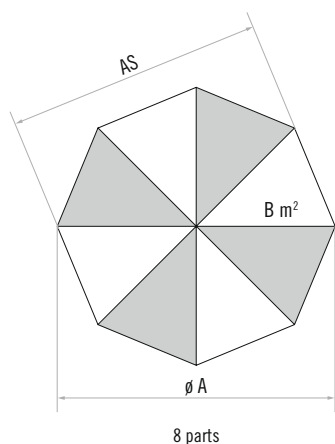


## Nominal size ALU-TWIST

Size without founce	Number of rods	Material class 4	Material class 5	Order no. Frame anodized natural
		Colours 400 – 499	Colours 500 – 699	
cm				
∅ 270	8 parts			204 00 270 171
∅ 300	8 parts			204 00 300 171
∅ 330	8 parts			204 00 330 171
210 × 150	6 parts			204 00 213 171
250 × 200	6 parts			204 00 253 171
240 × 240	8 parts			204 00 241 171

## Nominal size ALU-TWIST *easy*

Size without founce	Number of rods	Material class 2	Order no. Frame anodized natural
		Colours 142/150/151/155/162	
cm			
∅ 270	8 parts		204 00 270 171
∅ 300	8 parts		204 00 300 171
∅ 330	8 parts		204 00 330 171
210 × 150	6 parts		204 00 213 171
250 × 200	6 parts		204 00 253 171
240 × 240	8 parts		204 00 241 171



# ALU-PUSH



**Frame:** 6 or 8 rods made of aluminium, anodized natural, with a profiled pole and stepless height adjustment. Upper pole 38.4 × 1.2 mm – lower pole 35 × 1.5 mm, tilting thanks to the tilt joint.

**Frame colour:** anodized natural

**Frame shape:** round, rectangular or square

**Shade cover:** self-tautening thanks to the flexible rod ends, available in material class 5 (100 % acrylic approx. 300 g/m<sup>2</sup>), material class 4 (100 % polyester approx. 250 g/m<sup>2</sup>)

**Flounce:** not available

**Protective cover:** optional

## easy

**Shade cover:** available in material class 2 (100 % polyester approx. 220 g/m<sup>2</sup>)



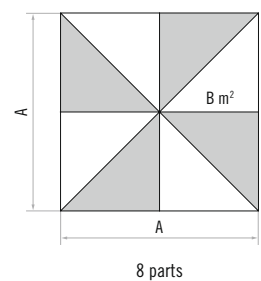
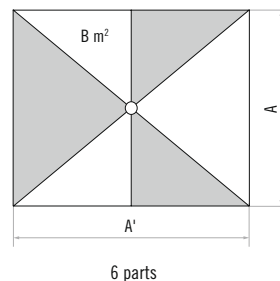
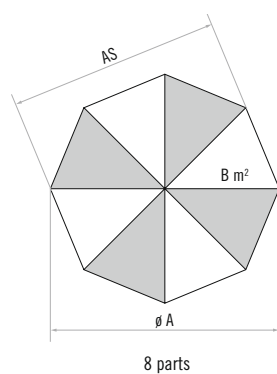
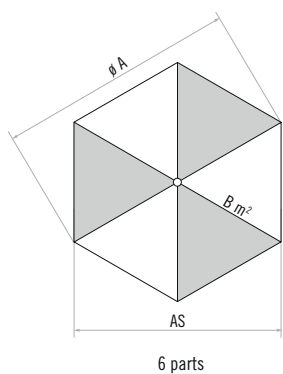
ALU-PUSH, Int. Patents reg. © Int. Design reg.

## Nominal size ALU-PUSH

Size without flounce	Number of rods	Material class 4	Material class 5	Order no. Frame anodized natural
		Colours 400 – 499	Colours 500 – 699	
cm				
∅ 200	6 parts			203 00 200 171
∅ 220	8 parts			203 00 220 171
∅ 250	8 parts			203 00 250 171
∅ 270	8 parts			203 00 270 171
210 × 150	6 parts			203 00 213 171
250 × 200	6 parts			203 00 253 171
240 × 240	8 parts			203 00 241 171

## Nominal size ALU-PUSH easy

Size without flounce	Number of rods	Material class 2	Order no. Frame anodized natural
		Colours 142/150/151/155/162	
cm			
∅ 200	6 parts		203 00 200 171
∅ 220	8 parts		203 00 220 171
∅ 250	8 parts		203 00 250 171
∅ 270	8 parts		203 00 270 171
210 × 150	6 parts		203 00 213 171
250 × 200	6 parts		203 00 253 171
240 × 240	8 parts		203 00 241 171



# FORTINO®



**Frame:** 8 rods made of natural anodized aluminium, 100 % inox, screws and rivets of high-grade steel, two-part profiled pole 38.4 × 2 mm, contrarotating opening system allowing for easy opening.

**Framematerial:** anodized natural

**Frameform:** round or square

**Shade cover:** self-tautening thanks to the flexible rod ends, available in material class 5 (100 % acrylic approx. 300 g/m<sup>2</sup>), material class 4 (100 % polyester approx. 250 g/m<sup>2</sup>) or material class 2 (100 % polyester approx. 220 g/m<sup>2</sup>)

**Flounce:** not available

**Protective cover:** optional

## easy

**Shade cover:** available in material class 2 (100 % polyester approx. 220 g/m<sup>2</sup>)

**Fixations:**



FORTINO®, ©Int. Design reg.



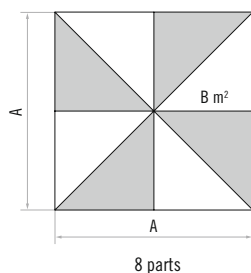
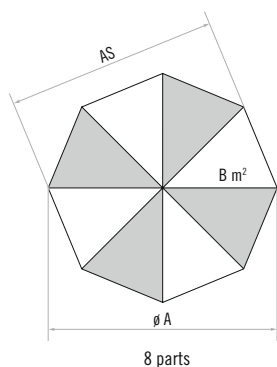
## Nominal size FORTINO®

	Size without flounce	Number of rods	Material class 4	Material class 5	Order no. Frame anodized natural
			Colours 400 – 499	Colours 500 – 699	
	cm				
○	∅ 250	8 parts			310 00 250 171
	∅ 270*	8 parts			310 00 270 171
	∅ 300	8 parts			310 00 300 171
□	200 × 200	8 parts			310 00 201 171
	240 × 240	8 parts			310 00 241 171

## Nominal size FORTINO® easy

	Size without flounce	Number of rods	Material class 2	Order no. Frame anodized natural
			Colours 150/151	
	cm			
○	∅ 250	8 parts		310 00 250 171
	∅ 270	8 parts		310 00 270 171
	∅ 300	8 parts		310 00 300 171
□	200 × 200	8 parts		310 00 201 171
	240 × 240	8 parts		310 00 241 171

\*while stocks last



Price on request

Nominal size	Lateral distance	Pole Ø	Area covered	Slide distance	Height closed	Clear headroom	Total height	Height open	Foundation 30 – 40 cm deep	Recommended base weight	max. wind speed open perm.
<b>ALU-TWIST</b>											
cm	cm	cm	m <sup>2</sup>	cm	cm	cm	cm	cm	cm	cm	km/h (Bft.)
A	AS	M <sup>1</sup>	B	D	E	F	G	H	C	Z	
Ø 270	250	3.9	5.2	-	110	205	260	-	50 × 50	40	30 (5)
Ø 300	275	3.9	6.4	-	105	205	265	-	60 × 60	40	25 (4)
Ø 330	305	3.9	7.7	-	95	205	275	-	60 × 60	55	25 (4)
210 × 150	-	3.9	3.2	-	105	205	245	-	50 × 50	40	30 (5)
250 × 200	-	3.9	5.0	-	85	205	260	-	50 × 50	40	25 (4)
240 × 240	-	3.9	5.8	-	75	205	255	-	50 × 50	40	25 (4)

<b>ALU-PUSH</b>											
cm	cm	cm	m <sup>2</sup>	cm	cm	cm	cm	cm	cm	cm	km/h (Bft.)
A	AS	M <sup>1</sup>	B	D	E	F	G	H	C	Z	
Ø 200	175	3.5	2.6	-	95...145	160...210	210...260	-	40 × 40	40	35 (5)
Ø 220	205	3.5	3.4	-	90...140	160...210	215...265	-	40 × 40	40	30 (5)
Ø 250	230	3.5	4.4	-	80...130	160...210	215...265	-	50 × 50	40	25 (4)
Ø 270	250	3.5	5.2	-	65...115	160...210	215...265	-	50 × 50	40	25 (4)
210 × 150	-	3.5	3.2	-	60...110	160...210	200...250	-	40 × 40	40	30 (5)
250 × 200	-	3.5	5.0	-	40...90	160...210	215...265	-	50 × 50	40	25 (4)
240 × 240	-	3.5	5.8	-	30...80	160...210	210...260	-	50 × 50	40	25 (4)

<b>FORTINO®</b>											
cm	cm	cm	m <sup>2</sup>	cm	cm	cm	cm	cm	cm	cm	km/h (Bft.)
A	AS	M <sup>1</sup>	B	D	E	F	G	H	C	Z	
Ø 250	230	3.8	4.4	-	155	205	290	260	60 × 60	55	80 (9)
Ø 270	250	3.8	5.2	-	145	205	295	260	60 × 60	55	65 (8)
Ø 300	275	3.8	6.4	-	140	205	305	265	70 × 70	70	60 (7)
200 × 200	-	3.8	4.0	-	130	205	280	245	60 × 60	55	70 (8)
240 × 240	-	3.8	5.8	-	115	205	295	250	70 × 70	70	60 (7)

In the presence of several sunshades, the minimum distance between one sunshade and another and between sunshades and walls shall be 20 cm.

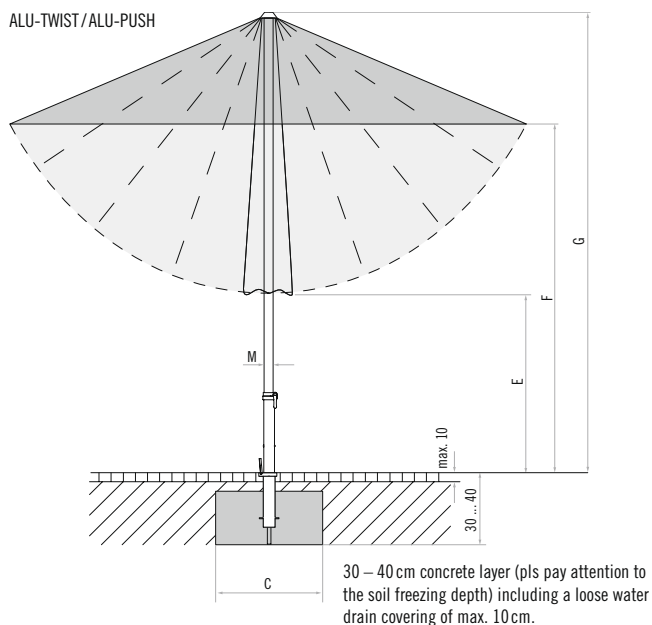
The listed measures represent extrapolated average values that may be slightly different on the product (± 2 % ± 5 cm).

Traditionally, the nominal dimension is calculated by doubling the rod length. For this reason, the nominal dimension can exceed the specified tolerance range.

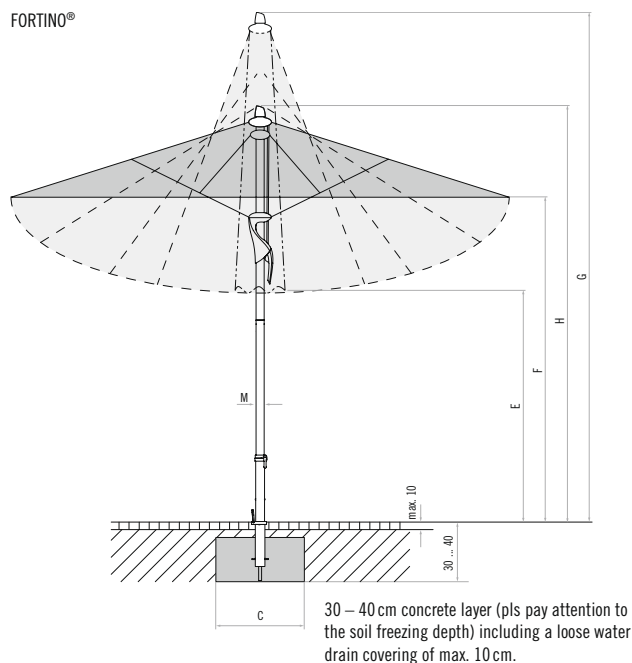
Height dimensions are based on ground socket BT. These vary slightly depending on the type of base. Except for steel base minus 5 cm.

The max. wind speed limits as per our separate list apply only in the presence of a fix ground anchorage.

ALU-TWIST/ALU-PUSH



FORTINO®



## Accessories

<b>Fixing option Z (support tube Z required)</b>		
• •	40 kg concrete base Z, Ø 60 × 7 cm	350 01 109 529
• •	55 kg concrete base Z, Ø 60 × 9.5 cm	350 01 109 528
• •	70 kg concrete base Z, Ø 75 × 7 cm	350 01 109 527
• •	Granite base Z 40kg, Ø 53 × 7 cm, natural stone	350 01 109 460
• • •	***Granite base Z 55kg, 55 × 55 × 9 cm, natural stone, with castors and retractable handle	350 01 109 440
• • •	Steel base Z 40 kg, 58.5 × 58.5 × 2 cm, galvanised steel	350 01 100 210
• •	Add-on weight 30 kg, 57.5 × 57.5 × 1.7 cm, galvanised steel	350 01 100 310
• • •	Wall bracket Z, 180 mm, galvanised steel	350 01 205 000
• • •	Support tube Z, Ø 35 / 38 – 39 mm, galvanized steel	350 01 201 010
• • •	Support tube Z, Ø 35 / 38 – 39 mm, high-grade steel 1.4301 / 304	350 01 201 100
<b>***Base with castors (Weight set required)</b>		
• •	Base frame with castors 45kg, 50 × 50 × 12 cm, anthracite, with support tube Ø 35 / 38 - 39 mm, polished aluminium (Base frame ca. 13kg)	350 01 102 300
• •	Weight Set, 4 pieces 35001105300, concrete, for base with castors 45kg ( Weight Set ca. 32kg)	350 01 103 300
• •	Protective cover, for base with castors 45kg	350 01 602 300
• • •	Base frame with castors 60kg, Ø 61 × 12 cm, anthracite, with support tube Ø 35 / 38 - 39 mm, polished aluminium (Base frame ca. 17kg)	350 01 102 400
• • •	Weight Set, 4 pieces 35001105400, concrete, for base with castors 60kg ( Weight Set ca. 43kg)	350 01 103 400
• • •	Protective cover for base with castors 60 kg	350 01 602 400
<b>Fixing option BT (support tube BT required)</b>		
• • •	Ground socket BT, galvanized steel	350 01 206 100
• • •	Support tube BT Ø 35 / 38 – 39 mm, galvanised steel	350 01 206 210
<b>Different fixing options</b>		
• •	Clamp U, Ø 31 – 40 mm, high-grade steel 1.4301 / 304, for horizontal flat railing, square profile up to 120 mm	350 01 252 005
• •	Lawn spike Ø 31 – 40 mm, galvanized steel	350 01 205 305
<b>Protective cover, coated polyester fabric</b>		
• • •	Protective cover with zip and rod	350 01 609 971
<b>Miscellaneous items</b>		
• •	Rechargeable battery light Osyrion 6 for pole Ø 30 – 50 mm, battery charger with european plug (type C) included (1 accumulator included)	350 01 557 950
• •	Rechargeable battery light Osyrion 4 for pole Ø 30 – 50 mm, battery charger with european plug (type C) included (1 accumulator included)	350 01 557 910
• •	Spare accu, 3.6 V, 7500 mAh (for Osyrion 4 & 6)	350 01 557 920

\*\*\*only suitable for smooth, joint free surface coverings

Your nearest Glatz representative:

